

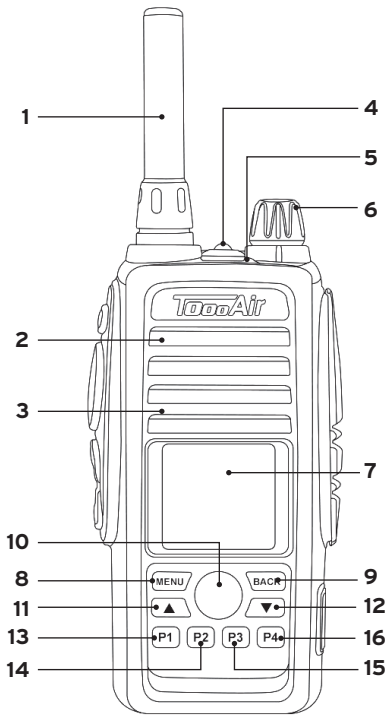
USER MANUAL



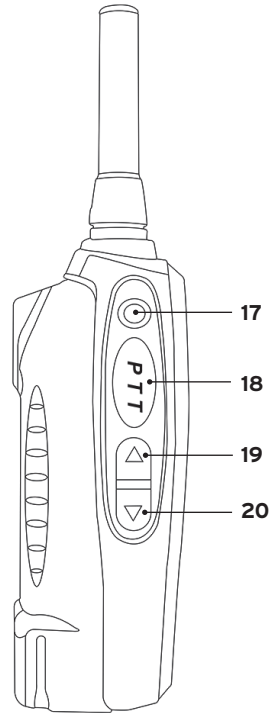
WIDE AREA IP 2WAY RADIO

MODEL: TA-388

ToooAir

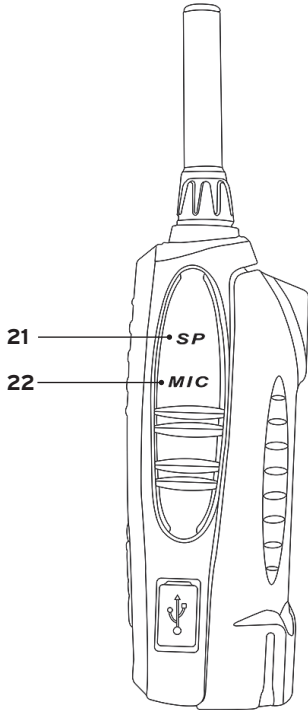


FRONT

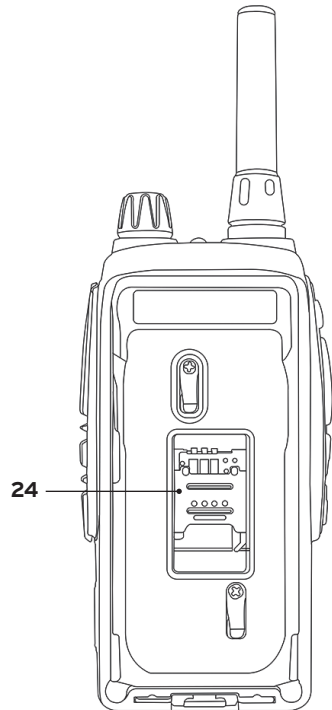


LEFT

1. Antenna
2. Speaker
3. Microphone
4. LED Flashlight
5. Indicator Lamp
 - When first powered on: LED will flash Blue while radio powers up.
 - A rapid Blue flash will start once a valid network is detected and radio 'Logs In'.
 - Once logged into the network, blue flash will slow to once every 5 seconds (It can take up to 20 seconds to acquire network).
 - Led will turn Red when the PTT is pushed and radio transmits.
 - LED will turn blue during receive.
 - LED will turn Red when radio is switched off until it is logged off the network.
6. Power Switch and Volume Control
7. LCD Indicator
8. MENU Key
 - Displays the menu or functions select.
9. BACK Key
 - Back to the previous menu or Cancel to stop the current operation.
10. OK Key
 - Enter or select a menu function.
11. Up Key
 - Up Key, short press -- the chosen item in the menu or list moves up one line.
12. Down Key
 - Down Key, short press -- the chosen item in the menu or list moves down one line.
- With the radio switched off and charger connected via the micro USB port, the LED will turn Red while charging.
- When fully charged the LED will turn blue.



RIGHT



BACK

- 13.** P1 Key
- 14.** P2 Key
- 15.** P3 Key
- 16.** P4 Key
 - P1 to P4 are programmable quick access preselects for group or individual member calls.
 - A long press can store the current chosen group or group members in the corresponding key. A short press of the key will recall the group or group members stored in the keys.
 - (Note if an individual member is pre-programmed into a particular key, and that member is 'off air', pressing the key will indicate a failed response.

- 17.** Orange Key
Short press -- Toggles on/off LED flashlight.
- 18.** PTT (Push-to-Talk) Switch
- 19.** Up Key
Short press - Moves cursor in some menu options to top of list.
- 20.** Down Key /Key Pad Lock
Short press -- Moves cursor in some menu options to bottom of list.
Long Press toggles Key Pad lock on/off.
- 21.** Speaker jack
- 22.** Microphone jack
- 23.** Micro USB charger jack
Radio can be charged via a standard USB Micro cable.
- 24.** SIM Card Slot

Basic Operations

Power on

Turn on/off volume switch clockwise to power on.

1. Led will flash blue as the TA-388 powers up
2. LCD will display Logo and Startup ▷ Welcome message
3. LCD will display 'Landing' text once a network is identified (This can take 20 seconds)
4. Once logged onto a network, the LCD will display the signal strength in the top left and battery capacity in the top right. User address and radio groups if available are also displayed on the LCD.
5. The Blue status bar will indicate 'Idle status'

Power off

Turn the volume switch anticlockwise to power off. The LED will illuminate red and the LCD will display the 'Off' icon during the shutting down process. This takes about 5 seconds.

Transmitting

Press the PTT and the LED will illuminate red indicating the radio is in transmit mode. When in the transmitting mode, the LCD Blue status bar will indicate 'my turn to talk'.

Receiving

When the LED is illuminated blue, it indicates the radio is receiving a transmission. The blue status bar will indicate the receivers name or ident.

Group Switching

1. Press the 'MENU' key and then push 'OK' to select 'Choose Group'.
2. Short press ▲ or ▼, to choose the group you want to use.
3. Push 'MENU' (Add) to select
4. The LCD display will now indicate the group the radio will transmit to when pushing the PTT.

Selective Call

There are two kinds of selective call: group selective call and individual selective call.

1. Press the 'MENU' key and then push 'OK' to select 'Choose Group'.
2. Short press G or H, and choose the group the user belongs to. Press 'OK' to select.
3. Short press G or H to choose the individual one you want to talk alone and press 'MENU' (add) key.
4. The display will indicate 'Temporary Group - Calling' and the individual name.
5. Press the PTT to initiate communication.
6. If the PTT is not pushed within 120 seconds, the radio will revert to the default group.

Advanced Functions

SMS Function

The radio can receive SMS text messages. On receipt of a text message an icon (Double Envelope) will display the top blue status line of the LCD. To read message:-

1. Press 'MENU' key.
2. Short press ▲ or ▼, and choose the 'Dispatcher MSG' from list. Press 'OK'
3. Short press ▲ or ▼, choose the message you want to read then press 'OK' key to read.
4. Press the "BACK" key to return to the message list.
5. Unread messages are identified by a closed envelope icon next to the message.

Messages are limited to 20 characters. The radio will store the last 5 messages.

LED Flashlight Function

Short press the 'Orange key' to toggle the LED flashlight on the top of the radio on/off.

Locking key function

You can set automatic lock or manual lock in the 'Setting' list.

1. Press 'MENU' key into the list.
2. Short press ▲ or ▼ choose settings in the menu list and press 'OK' key.
3. Short press ▲ or ▼ choose the 'Autolock' and press 'OK' key.
4. Short press ▲ or ▼ to change the option On or Off then press 'MENU' key to save selection.
5. Press 'MENU' key to save the data or press 'BACK' to cancel the operation.
6. When the Automatic Lock is on, all keys other than the PTT and orange flashlight key will automatically lock after 10 seconds.
7. Long press of the down key on left side of radio will temporary unlock keys.

Backlight Mode

The backlight can be set in 'Setting' Menu. It can be set to:

- Auto:** Backlight will turn on automatically when any key is pressed or if radio receives a transmission. If there is no operation for 10 seconds, Backlight will turn off automatically.
- Keys:** Backlight will not turn on when the PTT is pressed or radio receives a transmission. Backlight will turn on if any other key is used and remain on for 10 seconds.

Open: LCD backlight remain on.

Keypad Beep Setting

This function can be set in 'Setting' Menu.

It can be set to:

- On:** Beep sound emitted when a key press is operated.
- Off:** No sound emitted with key press.

Roger Beep function can be set in 'Setting' menu. It can be set to:

- On:** A beep tone is emitted when the PTT is pressed or released indicating start or end of transmission mode.
- Off:** No beep tone is emitted during PTT operation.

Language Selection

This function can be set in 'Setting' Menu. It can be set to:

- English:** LCD menu will display in English and voice prompt is English speech.
- Chinese:** LCD menu will display in simplified Chinese and voice prompt is Chinese speech.
- Chinese Traditional:** LCD menu will display in Chinese Traditional and voice prompt is Chinese speech.

Warranty

This warranty against defects is given by
Too Air Pty Ltd ABN 58 615 252 536

1. Consumer guarantees

- 1.1 Our goods come with guarantees that cannot be excluded under the Australian Consumer Law. You are entitled to a replacement or refund for a major failure and for compensation for any other reasonably foreseeable loss or damage. You are also entitled to have the goods repaired or replaced if the goods fail to be of acceptable quality and the failure does not amount to a major failure.
- 1.2 To the extent we are able, we exclude all other conditions, warranties and obligations which would otherwise be implied.

2. Warranty against defects

- 2.1 This warranty is in addition to and does not limit, exclude or restrict your rights under the Competition and Consumer Act 2010 (Australia) or any other mandatory protection laws that may apply.
- 2.2 We warrant our goods to be free from defects in materials and workmanship for the warranty period of 12 months from the date of original sale. Subject to our obligations under clause 1.2, we will at our option, either repair or replace goods which we are satisfied are defective. We warrant any replacement parts for the remainder of the period of warranty for the goods into which they are incorporated.

Product type warranty

- 2.3 To the extent permitted by law, our sole liability for breach of a condition, warranty or other obligation implied by law is limited
 - (a) in the case of goods we supply, to any one of the following as we decide -
 - (i) the replacement of the goods or the supply of equivalent goods;
 - (ii) the repair of the goods;
 - (iii) the cost of repairing the goods or of acquiring equivalent goods;
 - (b) in the case of services we supply, to any one of the following as we decide -
 - (i) the supplying of the services again;
 - (ii) the cost of having the services supplied again.
- 2.4 For repairs outside the warranty period, we warrant our repairs to be free from defects in materials and workmanship for three months from the date of the original repair. We agree to re-repair or replace (at our option) any materials or workmanship which we are satisfied are defective.
- 2.5 We warrant that we will perform services with reasonable care and skill and agree to investigate any complaint regarding our services made in good faith. If we are satisfied that the complaint is justified, and as our sole liability to you under this warranty (to the extent permitted at law), we agree to supply those services again at no extra charge to you.

2.6 To make a warranty claim you must before the end of the applicable warranty period, return the goods you allege are defective, provide written details of the defect, and give us an original or copy of the sales invoice or some other evidence showing details of the transaction.

2.7 Send your claim to:

Tooo Air Pty. Ltd.
Suit 2, Level 2
175 Macquarie Street
Sydney NSW 2000.
Tel: (02) 9157 0540
Email: info@toooair.com.au

3. This warranty does not cover

This warranty will not apply in relation to:

- (a) goods modified or altered in any way;
- (b) repairs performed other than by our authorised representative;
- (c) defects or damage resulting from misuse, accident, impact or neglect;
- (d) goods improperly installed or used in a manner contrary to the relevant instruction manual; or
- (e) goods where the serial number has been removed or made illegal.

4. Warranty period

The warranty on the ToooAir TA-388 Wide Area iP 2 Way Radio and Power Adapter is 12 Months. No repair or replacement during the warranty period will renew or extend the warranty period past the period from the original date of purchase.

Important Notice

READ ALL INSTRUCTIONS carefully and completely before operating your radio and retain this manual for future reference.

NEVER connect the radio to a power source other than the supplied battery and charge via supplied charger.

DO NOT place your radio in front of a vehicle airbag.

DO NOT attempt to modify your radio in any way.

ALWAYS charge your radio at normal room temperature.

ALWAYS switch off your radio where notices restrict the use of two-way radio or mobile telephones.

ToooAir

Tooo Air Pty. Ltd.
Suite 2, Level 2
175 Macquarie Street
Sydney NSW 2000

Phone: +61 2 9157 0540
Web: www.toooair.com.au
Email: info@toooair.com.au

