












## NORTHSTAR RV PUMPS

### Fresh Water 12V Diaphragm Pumps

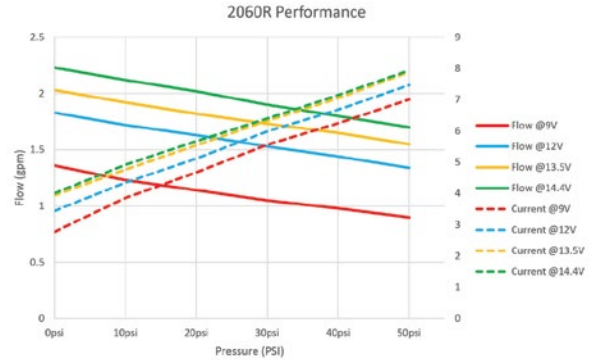
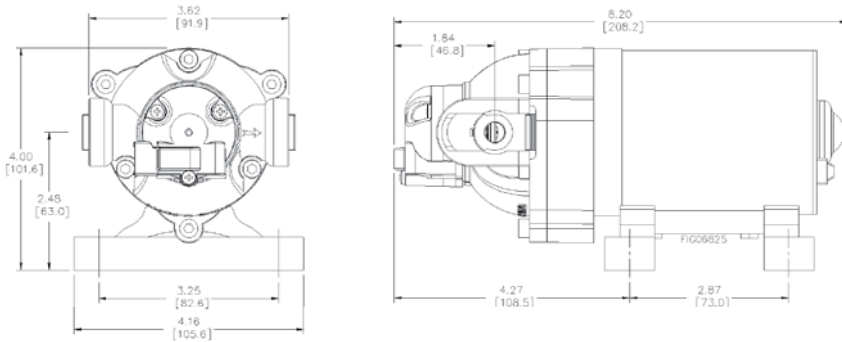
New from the brand you can trust, these NorthStar® NSQ Series™ on-demand 12V pumps are specifically designed for the transfer of fresh water for Caravans, mobile homes, camper trailers, food vans, coffee carts and so on. These fresh water diaphragm pumps deliver extended life and performance with internal bypass, thermal protection, and no rapid cycling.



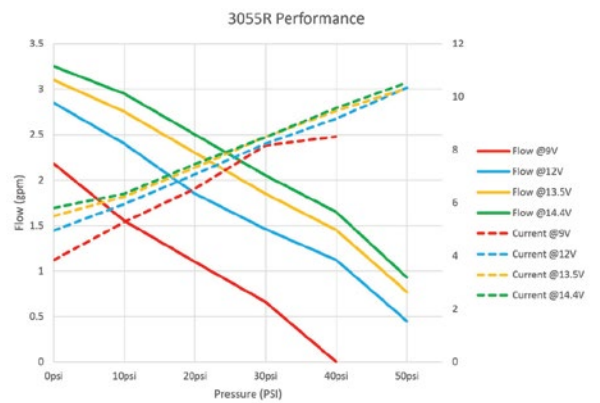
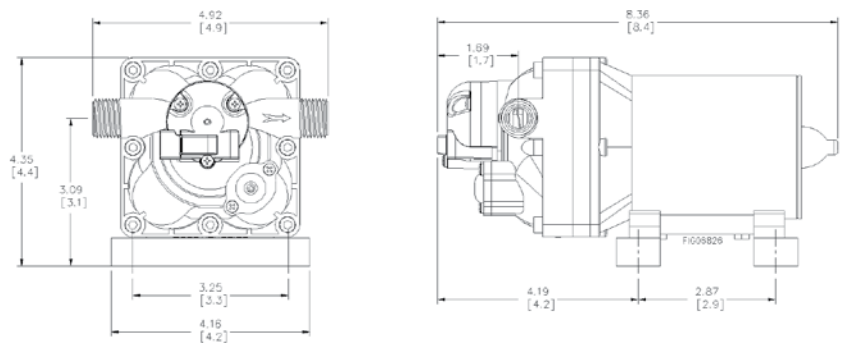
Model	2060R	3055R	5055R
Max Flow	7.6 liters/min (2.0 gpm)	11.4 liters/min (3.0 gpm)	18.9 liters/min (5.0 gpm)
Max Pressure	4.1 bar (60 psi)	3.8 bar (55 psi)	3.8 bar (55 psi)
Internal Bypass	No	Yes	Yes
Ports	3/4in. QC	1/2in. NPSM	1/2in. NPSM
Priming	2.4m (8-ft.)	3.0m (10-ft.)	3.0m (10-ft.)
Liquid Temperature	55°C (130°F)	55°C (130°F)	55°C (130°F)
Weight	2.27 kg (5 lbs)	2.50 kg (5.5 lbs)	2.72 kg (6.0 lbs)
Dimensions	208.2 x 105.6 x 101.6 mm	209.9 x 125 x 110.5 mm	234.9 x 125 x 110.5 mm
Wetted Materials	Plastics: Polypropylene, Nylon   Diaphragm: Santoprene Valves/Seals: EPDM   Check Valve Spring: Stainless steel		
Approvals / Certifications	CE, NSF ANSI 61, CSA Z240.3.2 IPX1 Protection, IAPMO Class Type IV		
Filter / Strainer			
Standard Fittings			
John Guest Fittings			
			
			
			
			
			
			

**NORTHSTAR RV PUMPS** Fresh Water 12V Diaphragm Pumps

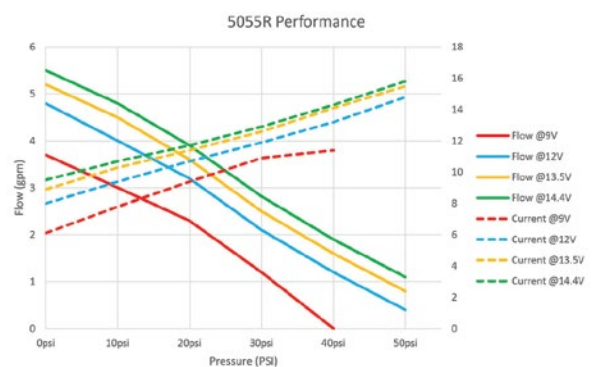
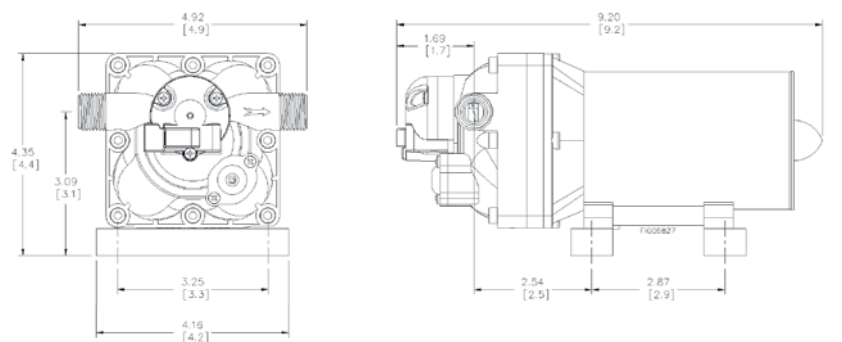
**7.6 LPM 2060R Pump:**



**11.4 LPM 3055R Pump:**



**18.9 LPM 5055R Pump:**



\*Specifications subject to change without notice.

**EMAIL ORDERS HERE**

[orders@bigboxproducts.com.au](mailto:orders@bigboxproducts.com.au)

For more information please contact us on  
**(03) 90415858** | [www.bigboxproducts.com.au](http://www.bigboxproducts.com.au)

**BIG BOX**  
PRODUCTS